

Product Data sheet : Hall Effect Current Sensor - HE500T02

Date : 08.04.2014

Rev : 03

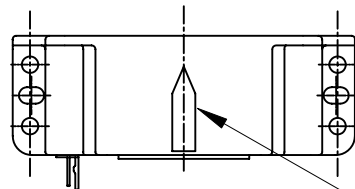
Page 1 of 2

Customer: ---

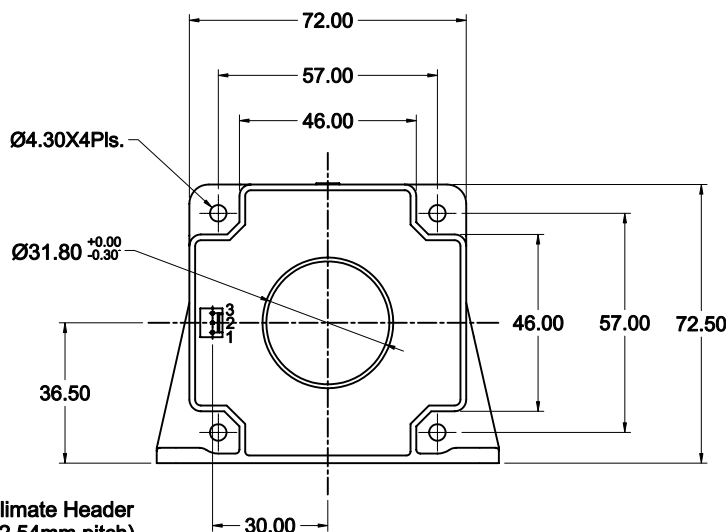
Customer's part No.: ---

Pb RoHS Compliant

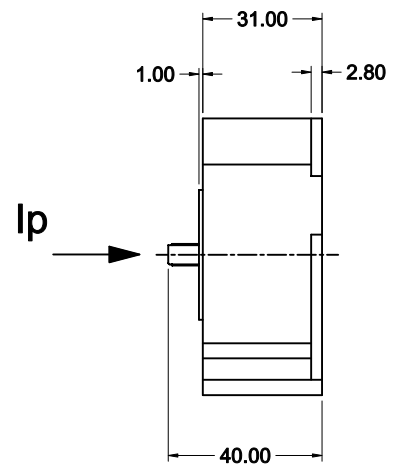
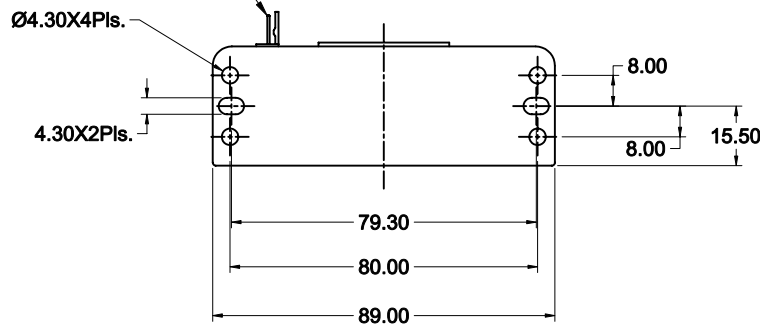
● MECHANICAL DIMENSIONS



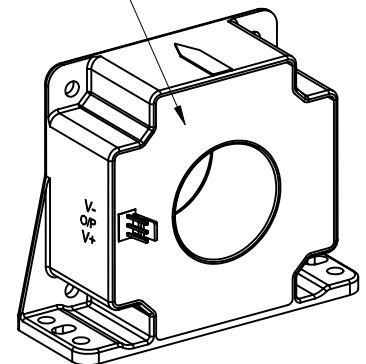
Ip Direction



3 pin Relimate Header
(2.54mm pitch)
(See Note 1)



Potted surface



- Pin 1 : V+
- Pin 2 : Output (O/P)
- Pin 3 : V-

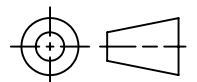
● APPLICATION :

Used for measurement of electric current, AC, DC, Pulsed in electrical & electronic equipment.

● FEATURES :

- Closed loop current sensor.
- Flange mounting type.
- Current output.

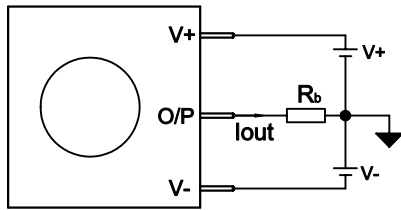
GENERAL TOL.
±0.5 mm



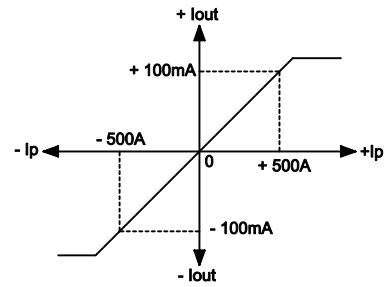
ALL DIMENSIONS
ARE IN 'mm'

SCALE -NTS

● CONNECTIONS DIAGRAM



● INPUT & OUTPUT CHARACTERISTICS



+ Ip Indicates primary current flowing in the direction of the arrow

● SPECIFICATIONS @ 25° C **

PARAMETERS	VALUES	UNITS
Primary Current Nominal (Ipn)	500	Arms
Primary current, range (Ip)	± 800	A
Burden Resistance (Rb)	Rb min. Rb max.	
with ± 15 V, @ ± 500 A	0 60	Ω
@ ± 800 A	0 11	
with ± 24 V, @ ± 500 A	5 149	
@ ± 800 A	5 65	
Conversion Ratio (K)	5000 : 1	---
Current output @ Ipn (Iout)	100	mA
Supply Voltage (V+ / V-), ±5%	+/- 15 to +/- 24	V
Current consumption @ ±18V (Ic)	26 + Is	mA
Accuracy @ Ipn	+/- 0.6	%
Linearity	< 0.1	%
Output offset current @ Ip = 0 (Ioffset)	< ±0.35	mA
Temperature variation of Ioffset (-40 to +70°C)	±0.40 (max.)	mA
Response time 90% of Ipn step	< 1.0	µs
Frequency bandwidth @ -3dB (fbw)	DC to 100	kHz
di/dt accurately followed	>100	A/µs
Secondary coil resistance	58 (Typical)	Ω
Dielectric strength Pri to Output terminals	3.8	kVrms
Creepage distance	15.20 (min.)	mm
Clearance distance	14.50 (min.)	mm
Operating Temperature Range	- 40 to + 70	°C
Storage Temperature	- 40 to + 85	°C
Weight	285	g

** Specifications subject to change.

Note :

1) Secondary Connection : 38-00-6293, Make : Molex

ELECTROHMS Pvt. Ltd.,
No. 67/6-1, Ullas Theatre Road,
Industrial Suburb,
Yeshwantpur,
Bengaluru 560 022. INDIA

www.electrohms.com
 e-mail: sales@electrohms.com

Unit 2: #129 EPIP 2nd phase,
 KIADB Industrial area,
 Whitefield,
 Bengaluru - 560 066, India.