

about us

ENGINEERING EXCELLENCE IN CURRENT SENSING

Electrohms designs and builds current sensing solutions for industrial electronic applications.

Our engineering and manufacturing expertise can provide design and performance characteristics that meet all international specifications.

We offer:

- Rapid development.
- Fast response to proposal requests.
- Equivalents to other manufacturers.
- A collaborative approach to provide optimal custom transformer design, resulting in economical production results.

PROCESS EXCELLENCE AND MANUFACTURING

Our quality assurance programs complement our ability to deliver customer products in time with exceptional PPM (parts per million) performance. Advanced processes

are in place to ensure a smooth transition from design through to delivery of completed parts.

We have been certified by M/s Bureau Veritas for ISO 9001:2000,

CSA, UL and CE certifications are available on specific products. Other International product certifications can be arranged as per requirement.

VALUE ENGINEERING OF PRODUCTS

We practice continuous value engineering of existing designs with the expertise acquired over 30 years of design, engineering and manufacturing of magnetics.

CAPACITY AND LOCATION

ELECTROHMS is located in Bangalore, INDIA, Asia's software hub and has access to world class technical resources. Our capacity of SIX Million components per year caters to various customers in USA, Europe and other countries, with a strong customer base in India.



ELECTROHMS[®]

Unit 1 #67/6-1, Industrial Suburb,
Yeshwantpur, Bangalore - 560 022
Ph +91 80 43492200 Fax +91 80 23571852

Unit 2 #129, EPIP II Phase, KIADB Industrial Area
Whitefield, Bangalore - 560066

email sales@electrohms.com
www.electrohms.com



H A L L E F F E C T
C U R R E N T S E N S O R S

ELECTROHMS[®]



Electrohms Current sensors (ac/dc) designed for use with different interfaces in closed and open loop applications.

features

- High Accuracy & linearity in closed loop
- Fast response.
- Primary connection Through hole
- Economically Priced
- Flange Mounted with Connector Termination.

applications

- Motor control applications.
- AC variable speed drives and servomotor drives.
- Uninterruptible power supplies.
- Switch mode power supplies.
- Industrial Motor Drives.

HALL EFFECT CURRENT SENSOR

CLOSED LOOP

Product Code	I _{pn} RMS (A)	I _p Max (A)	Supply Voltage (V)	V _{out} / I _{out} @ I _{pn}	Bandwidth-3 dB (kHz)	Accuracy %	linearity %	Ambient operating temp.
HE100T02	100	+/-150	+/- 12...18	50 mA	DC to 100	+/- 0.70	0.1	-25 to 85°C
HE200T01	200	+/-300	+/- 12...18	100 mA	DC to 100	+/- 0.70	0.1	-25 to 85°C
HE300T01	300	+/-500	+/- 12...18	150 mA	DC to 100	+/- 0.70	0.1	-25 to 85°C
HE300T02	300	+/-500	+/- 15...18	100 mA	DC to 100	+/- 0.70	0.1	-25 to 85°C
HE500T01	500	+/-800	+/- 15...18	100 mA	DC to 100	+/- 0.70	0.1	-25 to 85°C

SPLIT CORE OPEN LOOP

HK050...500T01	50...500	+/-100...+/-1000	+/- 12...+/-15V	+/-4 +/- 1%V	DC to 20	+/- 1.0	1.0	-25 to 85°C
----------------	----------	------------------	-----------------	--------------	----------	---------	-----	-------------

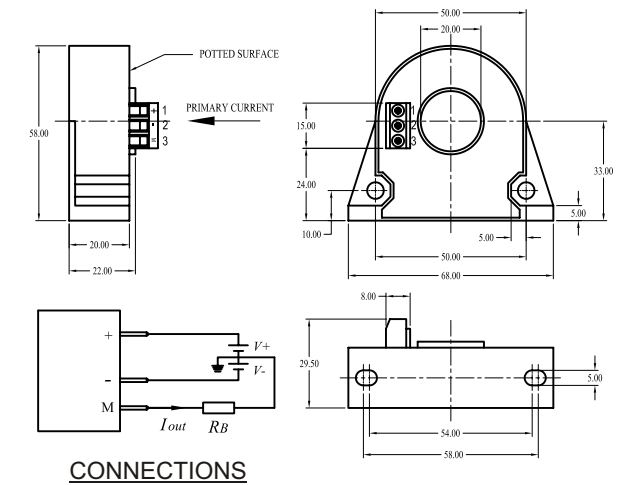
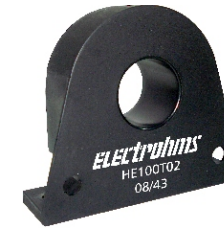
I_{pn}: primary nominal current
I_p Max: primary maximum current

V_{out}: Output Voltage @ +/- I_{pn}
I_{out}: Output Current @ +/- I_{pn}

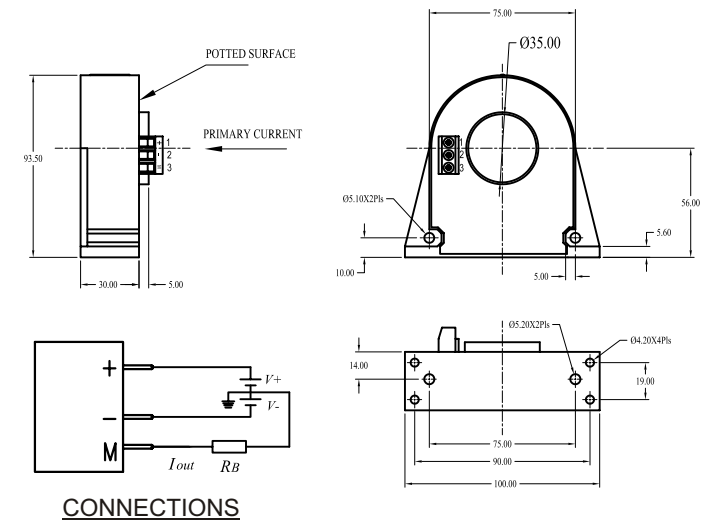
(Last updated on 09/04/2010)

Flange Mountable

HE100T02
HE200T02
HE300T01



HE300T02
HE500T01



HK050...500T01

