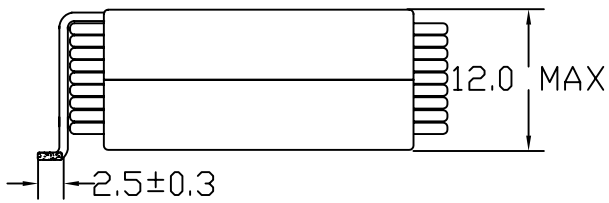
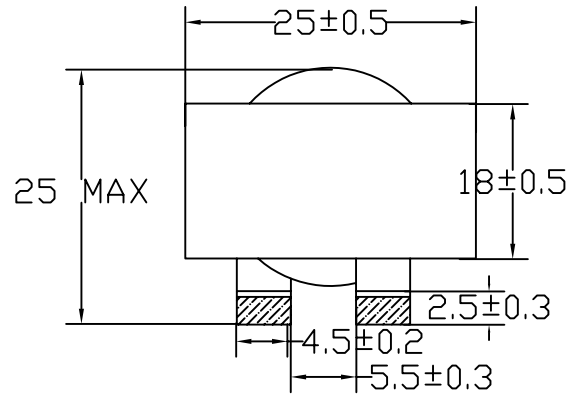
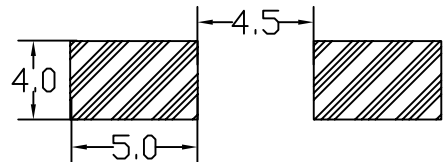


ER25

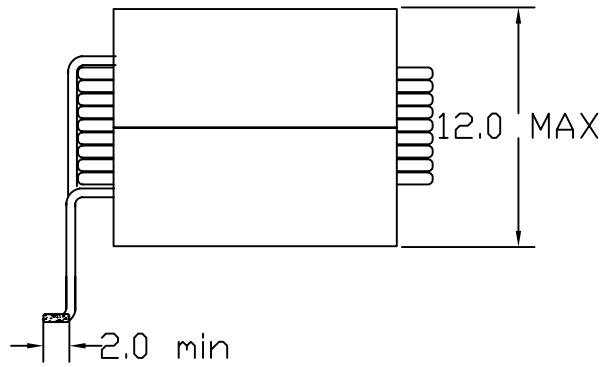
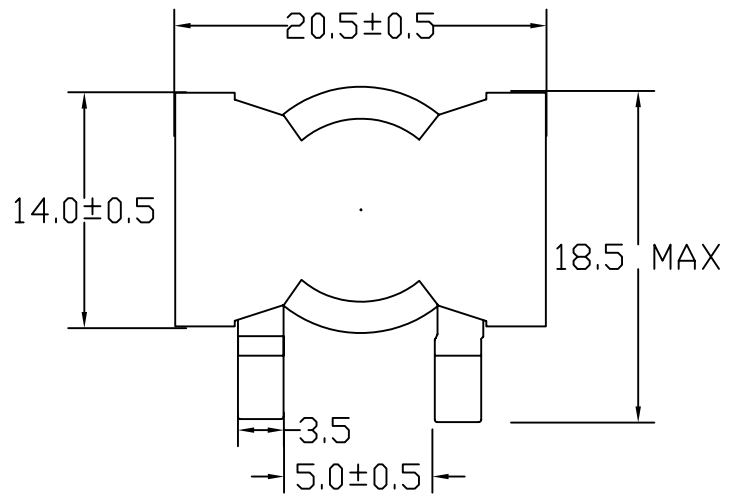


Recommended patterns

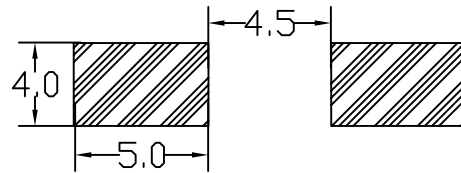


Part NO.	Test Condition	Inductance L(μH)±20%	Resistance		Heat Rated Current (A)Max	Saturation Current (A)Max
			(mΩ)DC Typical	Max		
GCI R 2512-3.3	100KHZ /1.0V	3.30	4.00	5.00	19.0	49.0
GCI R 2512-4.7	100KHZ /1.0V	4.70	4.00	5.00	19.0	43.0
GCI R 2512-6.8	100KHZ /1.0V	6.80	4.70	6.00	16.0	29.0
GCI R 2512-8.2	100KHZ /1.0V	8.20	4.70	6.00	16.0	23.0
GCI R 2512-10.0	100KHZ /1.0V	10.00	4.70	6.00	16.0	20.0
GCI R 2512-15.0	100KHZ /1.0V	15.00	4.70	6.00	16.0	13.0
GCI R 2512-22.0	100KHZ /1.0V	22.00	23.00	30.00	13.0	15.0
GCI R 2512-33.0	100KHZ /1.0V	33.00	23.00	30.00	13.0	10.5
GCI R 2512-47.0	100KHZ /1.0V	47.00	23.00	30.00	13.0	7.8
GCI R 2512-56.0	100KHZ /1.0V	56.00	23.00	30.00	13.0	6.0

PQ20

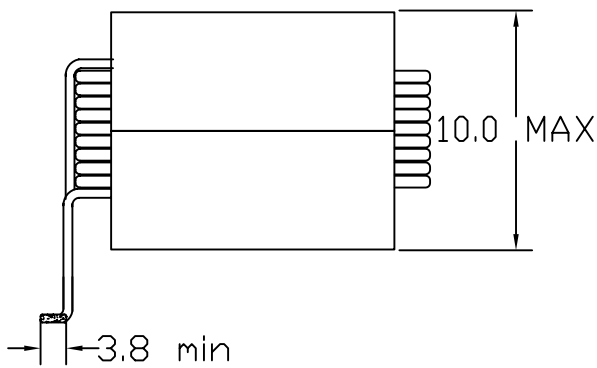
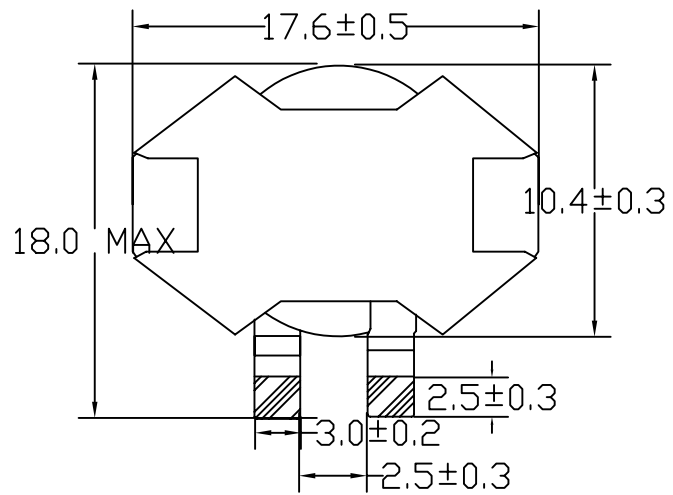


Recommended patterns

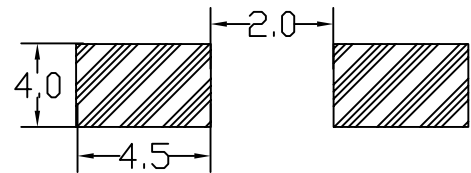


Part NO.	Test Condition	Inductance L(uH)±20%	(mOHM)DC Resistance		Heat Rated Current (A)Max	Saturation Current (A)Max
			Typical	Max		
GCI P2012-3.0	100KHZ /1.0V	3.30	4.60	6.00	20.0	49.0
GCI P2012-4.7	100KHZ /1.0V	4.70	4.60	6.00	20.0	35.0
GCI P2012-6.8	100KHZ /1.0V	6.80	4.60	6.00	20.0	26.0
GCI P2012-8.2	100KHZ /1.0V	8.20	4.60	6.00	20.0	23.0
GCI P2012-10.0	100KHZ /1.0V	10.00	6.80	10.00	16.0	20.0
GCI P2012-15.0	100KHZ /1.0V	15.00	6.80	10.00	16.0	18.0
GCI P2012-22.00	100KHZ /1.0V	22.00	6.80	10.00	16.0	11.0
GCI P2012-33.00	100KHZ /1.0V	33.00	6.80	10.00	16.0	7.0

RM6



Recommended patterns



Part NO.	Test Condition	Inductance L(μH)±20%	(mΩHM)DC Resistance		Heat Rated Current (A)Max	Saturation Current (A)Max
			Typical	Max		
GCI RM6-2.2	100KHZ /1.0V	2.2	1.5	1.7	28.0	52.0
GCI RM6-3.3	100KHZ /1.0V	3.3	2.0	2.3	26.0	45.0
GCI RM6-4.7	100KHZ /1.0V	4.7	3.0	3.4	24.0	38.0
GCI RM6-5.6	100KHZ /1.0V	5.6	4.0	4.5	22.0	33.0
GCI RM6-6.8	100KHZ /1.0V	6.8	5.6	6.2	21.0	30.0
GCI RM6-8.2	100KHZ /1.0V	8.2	7.5	8.0	17.0	25.0
GCI RM6-10.0	100KHZ /1.0V	10.0	8.0	8.9	16.0	23.0
GCI RM6-15.0	100KHZ /1.0V	15.0	8.7	1.0	14.0	21.0

