

EE20 SERIES EE20 系列

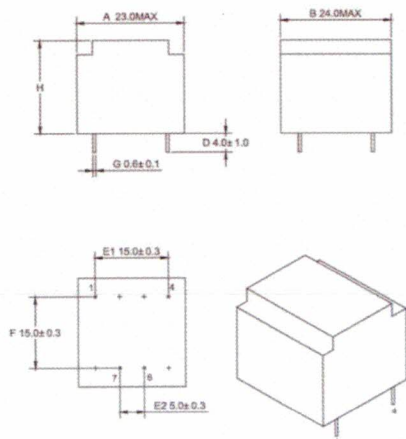
FEATURES

- VDE/CE Approval
- Temperature Class: Class B (130°C)
- Ambient Temperature (ta): 70°C
- Vacuum Potting
- Material Flammability Classification UL94V-0
- Dielectric Strength 4200Vrms
- Operation Frequency: 50/60Hz
- Inherently Short-circuit Proof
- Resins Class B (20,000h Testing to IEC 216)
- Conforms to EN61558/EN60950
- 100% Tested Production

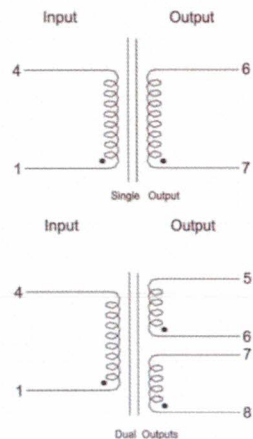
产品特点

- 通过VDE/CE 认证
- 温度等级: Class B (130°C)
- 环境温度 (ta): 70°C
- 真空灌封
- 所有材料阻燃等级UL94V-0
- 介电强度4200Vrms
- 工作频率: 50/60Hz
- 固有短路保护
- 封胶温度等级: B级 (经过20000小时IEC216测试)
- 符合EN61558/EN60950要求
- 产线全检

OUTLINE DIMENSIONS



ELECTRICAL SCHEMATIC



EE20-6.2 SERIES 0.35VA

Part Number	Primary Voltage (V)	Secondary Voltage (V)	Secondary Current (mA)	No-load Voltage (V)	Ambient Temperature (°C)	Rated Power (VA)	Dimension H Max. (mm)	Weight Approx. (g)	Agency Approval
UC20S-2-060035	230	6	58	9	T 70/B	0.35	16	25	VDE CE
UC20S-2-090035	230	9	39	13.5	T 70/B	0.35	16	25	
UC20S-2-120035	230	12	29	17.9	T 70/B	0.35	16	25	
UC20S-2-150035	230	15	23	22.4	T 70/B	0.35	16	25	
UC20S-2-180035	230	18	19	26.8	T 70/B	0.35	16	25	
UC20S-2-240035	230	24	15	35.8	T 70/B	0.35	16	25	
UC20D-2-060035	230	2×6	2×29	2×9	T 70/B	0.35	16	25	
UC20D-2-090035	230	2×9	2×19	2×13.5	T 70/B	0.35	16	25	
UC20D-2-120035	230	2×12	2×14	2×17.9	T 70/B	0.35	16	25	
UC20D-2-150035	230	2×15	2×12	2×22.4	T 70/B	0.35	16	25	
UC20D-2-180035	230	2×18	2×9	2×26.8	T 70/B	0.35	16	25	
UC20D-2-240035	230	2×24	2×7	2×35.8	T 70/B	0.35	16	25	
UC20S-1-060035	115	6	58	9	T 70/B	0.35	16	25	VDE CE
UC20S-1-090035	115	9	39	13.5	T 70/B	0.35	16	25	
UC20S-1-120035	115	12	29	17.9	T 70/B	0.35	16	25	
UC20S-1-150035	115	15	23	22.4	T 70/B	0.35	16	25	
UC20S-1-180035	115	18	19	26.8	T 70/B	0.35	16	25	
UC20S-1-240035	115	24	15	35.8	T 70/B	0.35	16	25	
UC20D-1-060035	115	2×6	2×29	2×9	T 70/B	0.35	16	25	
UC20D-1-090035	115	2×9	2×19	2×13.5	T 70/B	0.35	16	25	
UC20D-1-120035	115	2×12	2×14	2×17.9	T 70/B	0.35	16	25	
UC20D-1-150035	115	2×15	2×12	2×22.4	T 70/B	0.35	16	25	
UC20D-1-180035	115	2×18	2×9	2×26.8	T 70/B	0.35	16	25	
UC20D-1-240035	115	2×24	2×7	2×35.8	T 70/B	0.35	16	25	

EE20-10.5 SERIES 0.5VA

Part Number	Primary Voltage (V)	Secondary Voltage (V)	Secondary Current (mA)	No-load Voltage (V)	Ambient Temperature (°C)	Rated Power (VA)	Dimension H Max. (mm)	Weight Approx. (g)	Agency Approval
UC20S-2-06005	230	6	83	10.3	T 70/B	0.5	19.8	36	VDE CE
UC20S-2-09005	230	9	56	15.4	T 70/B	0.5	19.8	36	
UC20S-2-12005	230	12	42	20.4	T 70/B	0.5	19.8	36	
UC20S-2-15005	230	15	33	25.4	T 70/B	0.5	19.8	36	
UC20S-2-18005	230	18	28	30.4	T 70/B	0.5	19.8	36	
UC20S-2-24005	230	24	21	40.4	T 70/B	0.5	19.8	36	
UC20D-2-06005	230	2×6	2×42	2×10.3	T 70/B	0.5	19.8	36	
UC20D-2-09005	230	2×9	2×28	2×15.4	T 70/B	0.5	19.8	36	
UC20D-2-12005	230	2×12	2×21	2×20.4	T 70/B	0.5	19.8	36	
UC20D-2-15005	230	2×15	2×17	2×25.0	T 70/B	0.5	19.8	36	
UC20D-2-18005	230	2×18	2×14	2×30.4	T 70/B	0.5	19.8	36	
UC20D-2-24005	230	2×24	2×10	2×40.4	T 70/B	0.5	19.8	36	
UC20S-1-06005	115	6	83	10.3	T 70/B	0.5	19.8	36	VDE CE
UC20S-1-09005	115	9	56	15.4	T 70/B	0.5	19.8	36	
UC20S-1-12005	115	12	42	20.4	T 70/B	0.5	19.8	36	
UC20S-1-15005	115	15	33	25.4	T 70/B	0.5	19.8	36	
UC20S-1-18005	115	18	28	30.4	T 70/B	0.5	19.8	36	
UC20S-1-24005	115	24	21	40.4	T 70/B	0.5	19.8	36	
UC20D-1-06005	115	2×6	2×42	2×10.3	T 70/B	0.5	19.8	36	
UC20D-1-09005	115	2×9	2×28	2×15.4	T 70/B	0.5	19.8	36	
UC20D-1-12005	115	2×12	2×21	2×20.4	T 70/B	0.5	19.8	36	
UC20D-1-15005	115	2×15	2×17	2×25.0	T 70/B	0.5	19.8	36	
UC20D-1-18005	115	2×18	2×14	2×30.4	T 70/B	0.5	19.8	36	
UC20D-1-24005	115	2×24	2×10	2×40.4	T 70/B	0.5	19.8	36	

EI30 SERIES EI30 系列

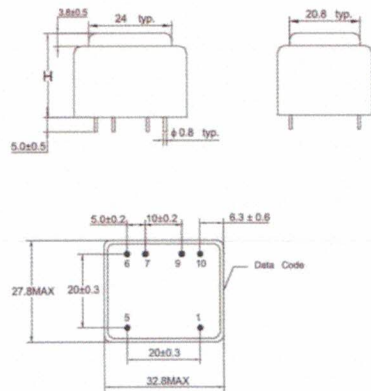
FEATURES

- VDE/UL/CUL/CE/CQC Approval
- Temperature Class: Class B (130°C)
- Ambient Temperature (ta): 40°C or 70°C
- Vacuum Potting
- Material Flammability Classification UL94V-0
- Dielectric Strength 4200Vrms
- Operation Frequency: 50/60Hz
- Inherently Short-circuit Proof
- Resins Class B (20,000h Testing to IEC 216)
- Conforms to EN61558/EN60950/UL5085
- 100% Tested Production

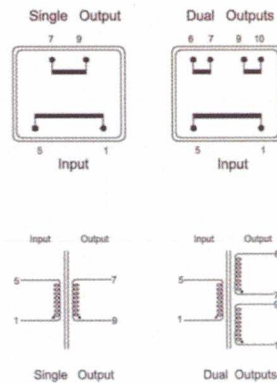
产品特点

- 通过 VDE/UL/CUL/CE/CQC 认证
- 温度等级: Class B (130°C)
- 环境温度 (ta): 40°C 或 70°C
- 真空灌封
- 所有材料阻燃等级 UL94V-0
- 介电强度 4200Vrms
- 工作频率: 50/60Hz
- 固有短路保护
- 密封胶等级: B 级 (经过 20000 小时 IEC216 测试)
- 符合 EN61558/EN60950/UL5085
- 产线全检

OUTLINE DIMENSIONS



ELECTRICAL SCHEMATIC



EI30-5 SERIES 0.6VA

Part Number	Primary Voltage (V)	Secondary Voltage (V)	Secondary Current (mA)	No-load Voltage (V)	Ambient Temperature (°C)	Rated Power (VA)	Dimension H Max. (mm)	Weight Approx. (g)	Agency Approval
UC30S-2-06006	230	6	100	10.5	T 70/B	0.6	16	41.5	VDE CE CQC
UC30S-2-07006	230	7.5	80	13	T 70/B	0.6	16	41.5	
UC30S-2-09006	230	9	67	15.5	T 70/B	0.6	16	41.5	
UC30S-2-10006	230	10	60	16	T 70/B	0.6	16	41.5	
UC30S-2-12006	230	12	50	20.5	T 70/B	0.6	16	41.5	
UC30S-2-15006	230	15	40	25.4	T 70/B	0.6	16	41.5	
UC30S-2-18006	230	18	33	30.4	T 70/B	0.6	16	41.5	
UC30S-2-24006	230	24	25	40.4	T 70/B	0.6	16	41.5	
UC30D-2-06006	230	2×6	2×50	2×10.5	T 70/B	0.6	16	41.5	
UC30D-2-07006	230	2×7.5	2×40	2×13	T 70/B	0.6	16	41.5	
UC30D-2-09006	230	2×9	2×33	2×15.5	T 70/B	0.6	16	41.5	
UC30D-2-10006	230	2×10	2×30	2×16	T 70/B	0.6	16	41.5	
UC30D-2-12006	230	2×12	2×25	2×20.5	T 70/B	0.6	16	41.5	
UC30D-2-15006	230	2×15	2×20	2×25.0	T 70/B	0.6	16	41.5	
UC30D-2-18006	230	2×18	2×17	2×30.4	T 70/B	0.6	16	41.5	
UC30D-2-24006	230	2×24	2×12	2×40.4	T 70/B	0.6	16	41.5	
UC30S-1-06006	115	6	100	10.5	T 70/B	0.6	16	41.5	VDE UL CE
UC30S-1-07006	115	7.5	80	13	T 70/B	0.6	16	41.5	
UC30S-1-09006	115	9	67	15.5	T 70/B	0.6	16	41.5	
UC30S-1-10006	115	10	60	16	T 70/B	0.6	16	41.5	
UC30S-1-12006	115	12	50	20.5	T 70/B	0.6	16	41.5	
UC30S-1-15006	115	15	40	25.4	T 70/B	0.6	16	41.5	
UC30S-1-18006	115	18	33	30.4	T 70/B	0.6	16	41.5	
UC30S-1-24006	115	24	25	40.4	T 70/B	0.6	16	41.5	
UC30D-1-06006	115	2×6	2×50	2×10.5	T 70/B	0.6	16	41.5	
UC30D-1-07006	115	2×7.5	2×40	2×13	T 70/B	0.6	16	41.5	
UC30D-1-09006	115	2×9	2×33	2×15.5	T 70/B	0.6	16	41.5	
UC30D-1-10006	115	2×10	2×30	2×16	T 70/B	0.6	16	41.5	
UC30D-1-12006	115	2×12	2×25	2×20.5	T 70/B	0.6	16	41.5	
UC30D-1-15006	115	2×15	2×20	2×25.0	T 70/B	0.6	16	41.5	
UC30D-1-18006	115	2×18	2×17	2×30.4	T 70/B	0.6	16	41.5	
UC30D-1-24006	115	2×24	2×12	2×40.4	T 70/B	0.6	16	41.5	

EI30-8 SERIES 1.0VA

Part Number	Primary Voltage (V)	Secondary Voltage (V)	Secondary Current (mA)	No-load Voltage (V)	Ambient Temperature (°C)	Rated Power (VA)	Dimension H Max. (mm)	Weight Approx. (g)	Agency Approval
UC30S-1-06010A	115	6	167	9.5	T 70/B	1	19.5	58	CE
UC30S-1-07010A	115	7.5	133	11.6	T 70/B	1	19.5	58	
UC30S-1-09010B	115	9	111	14.8	T 70/B	1	19.5	58	
UC30S-1-10010A	115	10	110	15.8	T 70/B	1	19.5	58	
UC30S-1-12010A	115	12	83	18.3	T 70/B	1	19.5	58	
UC30S-1-15010A	115	15	67	23	T 70/B	1	19.5	58	
UC30S-1-18010A	115	18	56	27.6	T 70/B	1	19.5	58	
UC30S-1-24010A	115	24	42	36	T 70/B	1	19.5	58	
UC30D-1-06010A	115	2×6	2×83	2×9.5	T 70/B	1	19.5	58	
UC30D-1-07010A	115	2×7.5	2×67	2×11.6	T 70/B	1	19.5	58	
UC30D-1-09010B	115	2×9	2×65	2×14.9	T 70/B	1	19.5	58	
UC30D-1-10010A	115	2×10	2×50	2×15.8	T 70/B	1	19.5	58	
UC30D-1-12010A	115	2×12	2×42	2×18.3	T 70/B	1	19.5	58	
UC30D-1-15010A	115	2×15	2×33	2×23	T 70/B	1	19.5	58	
UC30D-1-18010A	115	2×18	28	2×27.6	T 70/B	1	19.5	58	
UC30D-1-24010A	115	2×24	2×21	2×36	T 70/B	1	19.5	58	
UC30S-2-06010A	230	6	167	9.5	T 70/B	1	19.5	58	CE
UC30S-2-07010A	230	7.5	133	11.6	T 70/B	1	19.5	58	
UC30S-2-09010B	230	9	111	14.8	T 70/B	1	19.5	58	
UC30S-2-10010A	230	10	100	15.8	T 70/B	1	19.5	58	
UC30S-2-12010A	230	12	83	18.3	T 70/B	1	19.5	58	
UC30S-2-15010A	230	15	67	23	T 70/B	1	19.5	58	
UC30S-2-18010A	230	18	56	27.6	T 70/B	1	19.5	58	
UC30S-2-24010A	230	24	42	36	T 70/B	1	19.5	58	
UC30D-2-06010A	230	2×6	2×83	2×9.5	T 70/B	1	19.5	58	
UC30D-2-07010A	230	2×7.5	2×67	2×11.6	T 70/B	1	19.5	58	
UC30D-2-09010A	230	2×9	2×56	2×14.9	T 70/B	1	19.5	58	
UC30D-2-10010B	230	2×10	2×50	2×15.8	T 70/B	1	19.5	58	
UC30D-2-12010A	230	2×12	2×42	2×18.3	T 70/B	1	19.5	58	
UC30D-2-15010A	230	2×15	2×33	2×23	T 70/B	1	19.5	58	
UC30D-2-18010A	230	2×18	28	2×27.6	T 70/B	1	19.5	58	
UC30D-2-24010A	230	2×24	2×21	2×36	T 70/B	1	19.5	58	



